



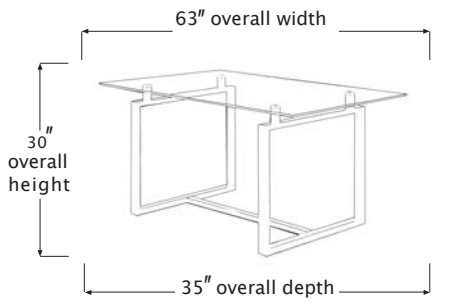
# ACKER



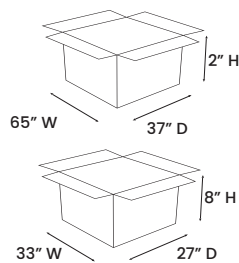
## RECTANGULAR GLASS TOP DINING TABLE

### SYT1525

#### PRODUCT DIAGRAM



#### CARTON DIMENSIONS



#### SPECS & DIMENSIONS

|            |            |
|------------|------------|
| WIDTH      | 63" W      |
| DEPTH      | 35" D      |
| HEIGHT     | 30" H      |
| WEIGHT     | 116 LBS    |
| CUBIC FEET | 6.78 CU.FT |
| #ITEM/CTN  | 1PC/2CTN   |

#### MATERIAL INFORMATION

|               |                                    |
|---------------|------------------------------------|
| DESCRIPTION   | RECTANGULAR GLASS TOP DINING TABLE |
| FINISH INFO 1 | 12MM TEMPERED CLEAR GLASS          |
| FINISH INFO 2 | MATTE BLACK POWDER COATED LEG      |
| FINISH INFO 3 | CHROME ACCENTS                     |

7933 Huntington Road, Woodbridge, ON L4H 0S9 | T: (905) 850-1530  
 E: sales@korsonfurniture.com | [www.korsonfurniture.com](http://www.korsonfurniture.com)

